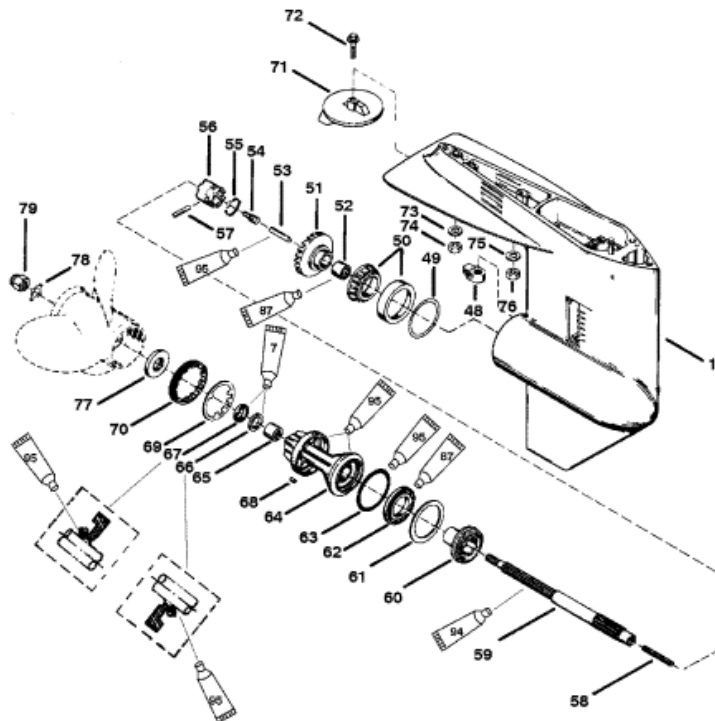


Parts List



- Loctite 271 (92-809820)
- Super Duty Gear Lubricant (92-13783A24)
- Anti-Corrosion Grease (92-78376A6)
- 2-4-C With Teflon (92-825407A12)

Ref	Class	Part	Description	Qty	Comment	Footnote
-	1643	9539A 4	GEAR HOUSING	1	(SHORT BLACK) S/N USA-0D279	
-	1643	9539A 6	GEAR HOUSING	1	(SHORT GRAY) S/N USA-0D279	
-	1643	9539A 5	GEAR HOUSING	1	(LONG BLACK) S/N USA-0D2793	
-	1643	9539A 7	GEAR HOUSING	1	(LONG GRAY) S/N USA-0D2793	
-	1643	9539A15	GEAR HOUSING	1	(SHORT BLACK) S/N USA-0D279	
-	1643	9539A16	GEAR HOUSING	1	(SHORT GRAY) S/N USA-0D279	
-	1643	9539A18	GEAR HOUSING	1	(LONG BLACK) S/N USA-0D2793	
-	1643	9539A19	GEAR HOUSING	1	(LONG GRAY) S/N USA-0D2793	
-	1643	9539A12	GEAR HOUSING	1	(TRACKER GRAPHITE GRAY)	
1	1643	9539A 1	GEAR HOUSING ASSEMBLY	1	(BLACK)	
1	1643	9539A 8	GEAR HOUSING ASSEMBLY	1	(GRAY)	
1	1643	9539A13	GEAR HOUSING ASSEMBLY	1	(TRACKER GRAHITE GRAY)	
48		76039	SHIFT CAM	1		
49	15	38374A 1	SHIM (.002-3-5-10)	AR		
50	31	38356A 1	TAPERED ROLLER BEARING	1		
51	43	55608A 4	FORWARD GEAR	1		
52	31	21739	ROLLER BEARING	1		
53		38441	CAM FOLLOWER	1		
54		20843	SLIDE	1		
55	24	38114	SPRING	1		
56	52	92911	RATCHET	1		
57	17	38113	CROSS PIN	1		
58	24	39845	SPRING	1	(PROP SHAFT I.D. IS .310 IN.)	
58	24	815418	SPRING	1	(PROP SHAFT I.D. IS .373 IN.)	
59	44	75365	PROPELLER SHAFT	1		
60	43	79158	REVERSE GEAR	1		
61	12	32004	THRUST WASHER	1		
62	30	20839	BALL BEARING	1		
63	25	31986	O-RING	1		2,15
64		69386A 1	BEARING CARRIER	1		
65	31	21700	ROLLER BEARING	1		
66	26	69188	OIL SEAL	1		15
67	26	69189	OIL SEAL	1		15
68	28	30281	KEY	1		
69	14	53012	TAB WASHER	1		
70	11	87763	NUT	1		
71		31640 4	TRIM TAB ASSEMBLY	1		
72	10	66024	SCREW	1		
73	12	45175	WASHER (3/8 IN.)	1		
74	11	34863	NUT (3/8 IN.)	1		
75	12	65291	WASHER (7/16 IN.)	1		